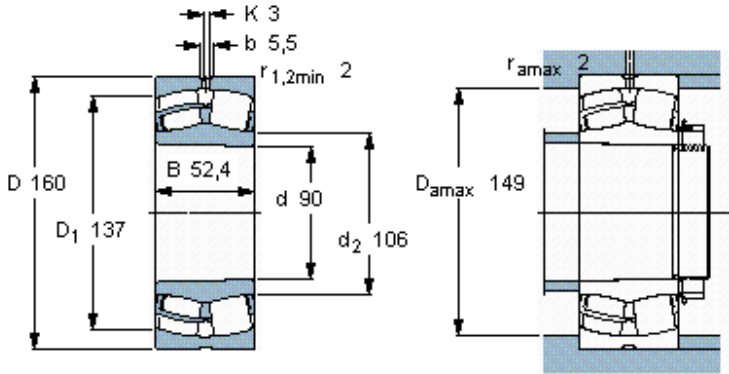


Spherical roller bearings, cylindrical and tapered bore

Principal dimensions			Basic load ratings		Speed ratings		Designation
d	D	B	dynamic C	static C0	Reference speed	Limiting speed	
mm			kN		r/min		
90	160	52,4	372	440	2800	3800	* SKF Explorer bearing 23218 CCK/W33 *



Tapered bore, taper
1: 12

Calculation factors

- e 0,31
- Y_1 2,2
- Y_2 3,3
- Y_0 2,2